

使用說明書 using guide

# 能量 π 活水機

ENERGIZING WATER DRINKING MACHINE

小分子能量水! 健康好水的專家!

三大特點 免插電/免排廢水/可生飲

榮獲七國世界專利產品

國內第一家掛牌上櫃生技股(4109)的能量淨水器

來自英、美、日、台生化環保科技系統整合  
目前唯一經新加坡PSB嚴格檢測通過，符合國際安全標準

新發售



① Special Filter Element(Abandon Filter)  
特級濾蕊(拋棄式)

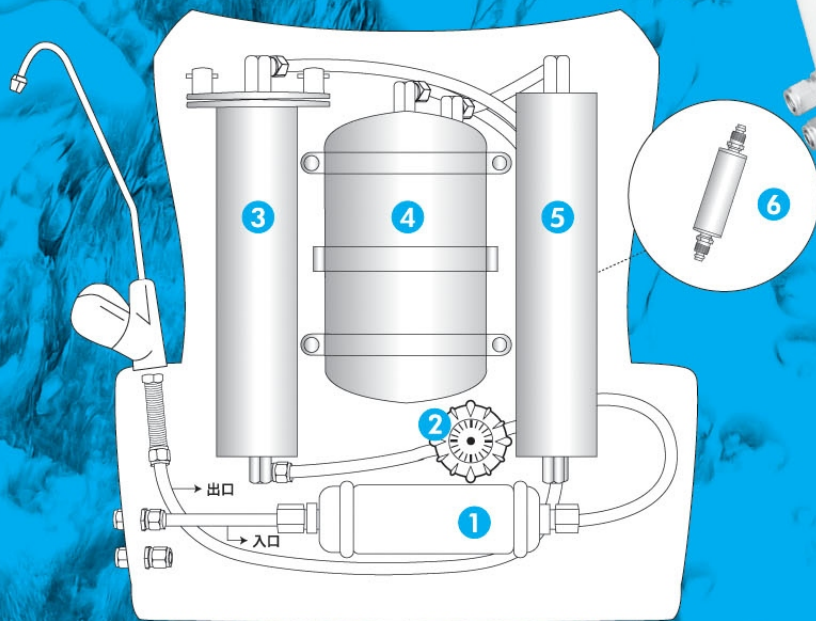
② Flow Meter  
水流量表

③ Doulton Ceramic Filter  
道爾頓矽藻陶瓷濾蕊

④ High Compressive Active Carbon Filter  
高壓縮活性炭棒濾蕊

⑤ Energy Active Water Conversion System  
能量活水轉換系統

⑥ Energy Magnetic Resonate System  
(Developed in Japan)  
立體化磁氣共鳴系統



第021750字號  
國際品質認證



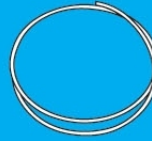
# 附屬零件 Major parts and components table

## A. 整組 Whole set

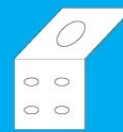
- (1) 鵝頸龍頭 Goose neck faucet
- (2) 六分接頭 3/4" connector
- (3) 四分接頭 1/2" connector
- (4) 拷克開關 Ball valve



## B. PU水管 PU house



## C. 不鏽鋼L片 Stainless steel L slice



## D. 資料袋 Data bag



選購配件：雙管迴流器 Double-head drinking water valve

- 1 外螺紋水龍頭 Outer thread faucet
- 2 內螺紋水龍頭 Inner thread faucet
- 3 無螺紋水龍頭 Without the thread faucet



⚠️ 注意事項 -無法使用本產品之水龍頭-  
Special note -Can't use the faucet of this product-

- 1 口徑30mm以上 口徑13mm以下
- 2 前端角形 Head cape form
- 3 蓮蓬頭 Showerhead

若遇到上述特殊情況時，應採用考克開關搭配4分或6分接頭。  
If meet and say the special condition, should adopt the gram switch and match 4 centises of 6 centises

# 如何安裝能量活水機 How to install the Energizing Water drinking machine?

● 找出安裝能量活水機的最佳位置 Find the most suitable site for installing Energizing Water drinking machine.

## A. 檯面式 Wall hang type

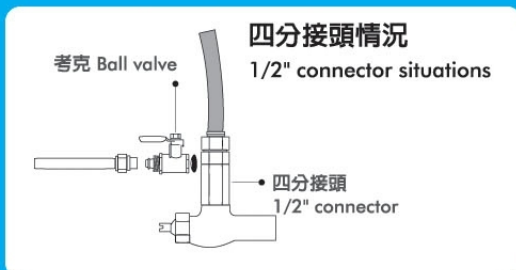
- (1) 先視察流理台及能量活水機的安置位置。  
Check the proper position between the cooking table the water inlet/outlet at the kitchen first.
- (2) 檢查水龍頭入水口樣式，以決定選擇用 (a)四分接頭或 (b)六分接頭。  
Check the faucet to choose (a) 1/2" or (b) 3/4" connector.



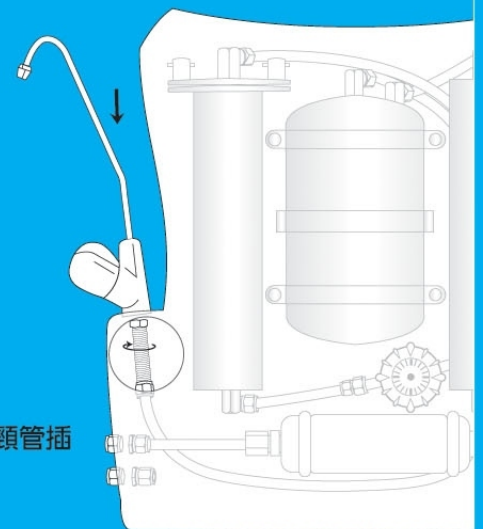
- (3) 將鵝頸龍頭放入水機底座，用六角螺帽旋緊固定並與PU水管連接，再將鵝頸管插入鵝頭。  
Put Goose neck faucet into the water machine base, screw on and fix with hexagon screw and connect with PU hose, then insert the gooseneck in goose's head.

## B. 櫥下式 Under cup board type

- (1) 先視察流理台及能量活水機所安置的位置。(同A-1) See A-1
- (2) 檢查配管式樣及位置，並接上考克開關及四分接頭即可。  
Check tube style and positions place Ball valve and screw on 1/2" connector.



- (3) 將鵝頸龍頭放入水機底，座用六角螺帽旋緊固定並與PU水管連接，再將鵝頸管插入鵝頭。(同A-3) See A-3



※若廚櫃為密閉空間有嚴重異味(或霉味)，建議不安裝此方式。  
It's not recommended for a close area, if kitchen cupboard with a serious strange smell.

## 如何安裝能量活水機 How to install the Energizing Water drinking machine?

### C. 壁掛式 Hanging type

(1)先視察流理台及活水機所安置的位置。 (同A-1) See A-1

(2)(同A-2) See A-2

(3)使用電鑽在牆上鑽孔(建議安裝位置不宜過高，以便清洗)。

The drill a hole at the wall. (It is recommended not to install in a high position. It is convenient for cleaning.)

(4)選擇適當位置安裝(a)有L片安裝(b)無L片安裝並放入鵝頸龍頭旋緊固定。

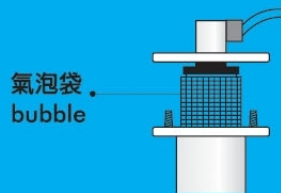
Choose the proper position installs.(a)With L slice (b)Without L slice, and put the goose neck group leader and lock tightly.



(5)將PU水管分別連接鵝頸龍頭與出水口塑膠接頭。

安裝完成後須拿掉「第二道陶瓷濾心」內的氣泡袋。

Connect goose neck leader with PU pipe and the plastic out let. The gearing must take the second "Fine ceramics filter" bubble away to bring after completing. Then move away the bubble from the second fine ceramics filter.



⚠️ ● 安裝完成後，須拿掉【第二道陶瓷濾蕊】內的氣泡袋。  
Then move away the bubble from "the second fine ceramics filter".

## 如何保養及更換濾心 How to maintain and replace the filter?

### ● 更換第一道拋棄式濾心 How to replace the disposal filter?

#### 步驟 Step

❶ 取下兩邊塑膠螺帽，並將水管拔出，取出舊濾心。

Take out the nuts at the two sides. Pull out the hose and take out the old filter from the small clipper.



可採用六角扳手工具以利旋開塑膠螺帽。  
To loose the T type by Hexangular spanner.

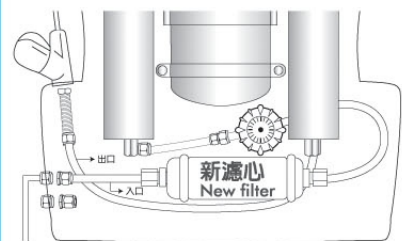
❷ 先將螺帽套在水管上，以防止漏水。

Put the plastic nut onto the hose. The hoses at the two sides must be inserted with cock to prevent from leaking.



❸ 再將新濾心固定在水機的小單夾上即可。

Fix the installed filter onto the small clipper of the water device body.



## 如何保養及更換濾心 How to maintain and replace the filter?

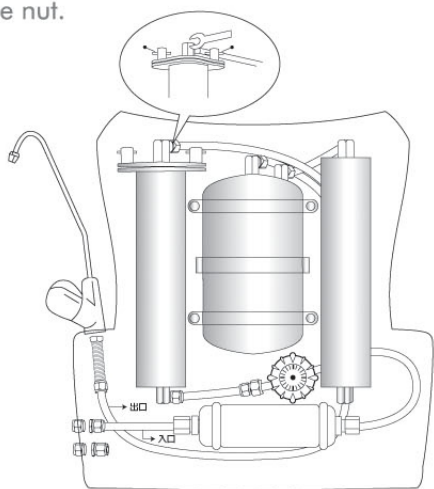
### ●清洗及更換第二道精密陶瓷濾心 How to clean and replace the ceramic filter?

- ⚠ ● 陶瓷濾心屬於易碎品，清洗時須小心！  
Precise ceramics filter is fragile. Clean must be careful.
- 當鵝頸龍頭出水量變小時，表示陶瓷濾心受阻塞，應當清洗或更換。  
When the goose neck leader pays small amount of water, means that the porcelain and ceramics filter getting stuck difficulty to fill, it should clean or change the filter.

#### 步驟 Step

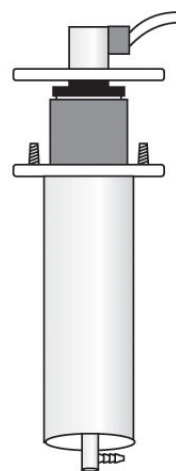
- ① 使用六角鉸手將L型螺帽與PU水管分離再將雙邊的T型螺帽取下。

Use the hexangular spanner to separate L type nut and PU pipe lines, and then dismantle the T type nut.



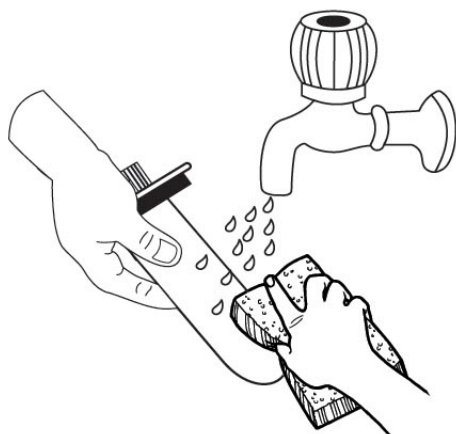
- ② 小心取出精密陶瓷濾蕊。

Take out the ceramics filter carefully.



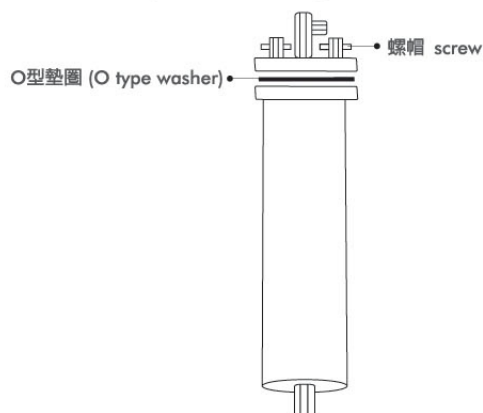
- ③ 以專用菜瓜布在水龍頭下用水清洗，將黃色阻塞物刷乾淨，使呈現原來的顏色。

To wash away the yellow jam particles under running water to and return its original color.



- ④ 最後將陶瓷濾心小心裝入鋼瓶內，並放上止水O型墊圈，平均施壓鎖上左右T型螺帽，再銜接上PU水管，以防漏水。

Pack the porcelain and ceramics filter cautiously into the steel bottle, and put O type washer. Lock the T type nut, and then join the PU pipe, in order to prevent leaking.



## 如何保養及更換濾心 How to maintain and replace the filter?

### ●更換第三道高壓縮活性碳棒濾心 How to replace the high-pressure active carbon block filter?

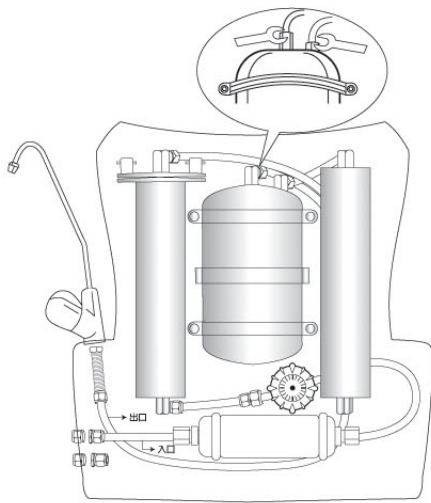
- 使用1500加侖或6000公升(請準確設定於水流量表上)  
Use 1500 gallons or 6000 liters. (To set it accurately on the water flowmeter.)

⚠ ● 當水流量表轉至"OFF"時即停止出水，應更換濾心。  
When the water flowmeter turns to "off" it stops the water right away. The filter should be replaced.

#### 步驟 Step

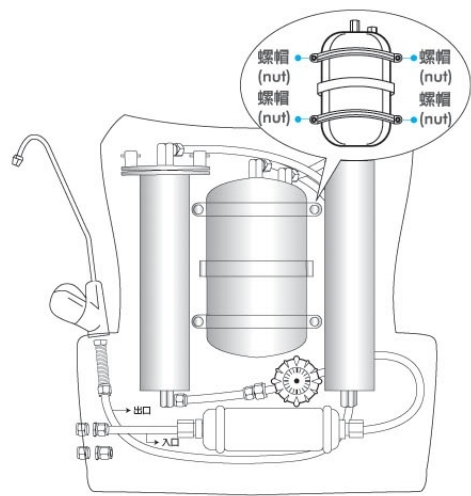
#### ① 採用鉸手將上方L型螺帽與PU水管分離。

Use spanner to separate L type nut and PU pipe.



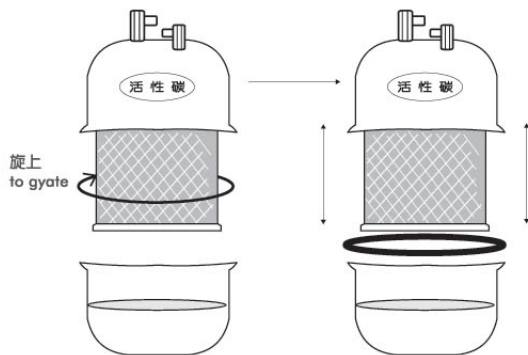
#### ② 再將鋼瓶束環上4個螺絲取下。

To take 4 screws apart from the steel bottle of belted wreath.



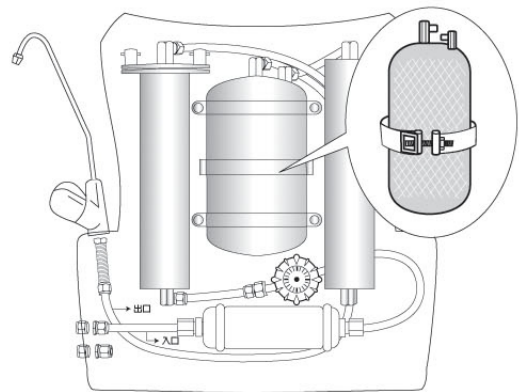
#### ③ 取出舊的鋼瓶再用鉸手將不鏽鋼圓形束帶的螺絲旋開，並將新的高壓縮活性碳濾心旋上，請勿過分用力。

To take out the old steel bottle and open the belted screw in stainless steel circular by plank hand, then revolve the new high-pressure activate carbon block filter, please don't make an undue effort.



#### ④ 將止水油環O型電圈與鋼瓶結合，並使用鉸手將不鏽鋼圓形束帶固定好，再回復到原狀態位置上。

To combine the steel bottle with sealing up O type oil ring and fix firm the belted screw in stainless steel circular by plank hand at the original status.



- 止水O型墊圈、直管矽膠變形或硬化時須更換。  
The sealing up O type oil ring must be replaced when the part of silica gel's pipe is distortion.

## 如何使用專利水流量表 How to use the water flowmeter?

1. 本機依高壓縮活性碳棒濾蕊的使用壽命(有效過濾容量)，將水流量表，設定為1500加侖過濾容量。  
This machine depends on the high compression activate carbon filter of service life valid percolation capacity  
The Water flowmeter set up for 1500 gallons of percolations capacity.
2. 當水容量累積已超過活性碳棒濾蕊的有效壽命時(1500加侖)，流量計開關會自動關閉無法出水。註:指示方向為"OFF"  
When the water current capacity accumulation exceeded the activate carbon filter valid life hour or 1500 gallons,  
the flowmeter switch will close automatically, can't pay the water. Note: Indicating the direction is an "OFF".
3. 此時提醒您需要更換高壓縮活性碳棒濾蕊以確保飲水品質。  
Remind you to change the high compression activate carbon filter to insure drinking quality.
4. 更換濾蕊後再將水流量計依順時鐘方向轉至濾蕊有效容量處(1500加侖)，即可再次使用並確保您的飲水品質。  
After changing the filter, than turn the flowmeter clock wise direction to the filter capacity 1500 gallons it can work  
immediately and safeguard your drinking quality again.



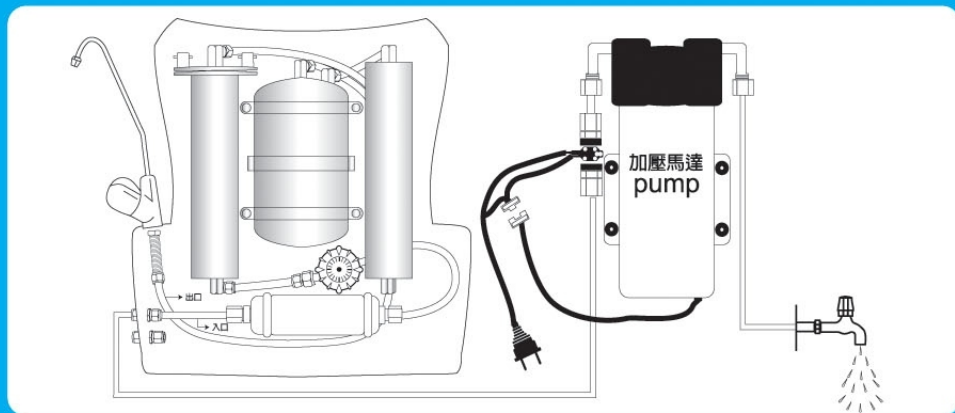
- ※注意：濾蕊有效容量係以自來水為參考，如果使用地下水會因各地區水質不一，使得濾蕊壽命不同，如發現過濾後的水質仍有異味，請立即更換濾蕊。
- ※Note：The valid capacity in filter is to regard running water as to consult, if use the groundwater, will is different because of every place area fluid quality, making the life of filter different. If detection water after filtering still contains strange smell, please change the filter immediately.

## 如何安裝加壓馬達 How to install the pump?

### 時機 Timing

活水機採用自然水壓方式，若安裝地點為低窪地區或水壓不足時，可能會產生出水量不足現象，此時必須加裝加壓馬達以改善水量情況。

Water machine adopts water pressure design, if install locations are low-lying and damp region or low water pressure, may cause the water flowing shortage. Must install the pump to improve the water measures.



### 步驟 Step

- 1 將加壓馬達安裝位置介於進水PU水管與活水機之間。  
Install the pump between PU pipe and the water machine.
  - 2 將PU水管分別插入加壓馬達兩邊的塑膠螺帽上，緊旋並之，連接電線介面埠。  
Insert PU pipe respectively into the plastic nut on the both sides of the pump, and turn tightly, links the wharf of the interface of the electric wire.
- ※安裝加壓馬達時，需考慮家中電源與馬達之間的距離。  
Whiles install the pump, need to consider the distance between the power supply and pump.
  - ※加壓馬達安裝位置，儘可能的遠離接觸水，以免漏電。  
Install the pump please keep away from the water contact so as to prevent electric leakage.
  - ※PU水管放入管塞，以免漏水。  
Put PU pipe into stopcock properly to prevent water leaking.

## 產品規格 Product specification

項目 Item	內容 Contents
尺寸 Size	寬(Width) : 46.5cm 高(Height) : 46cm 深(Depth) : 17cm
重量 Weight	11kgs
水管長度 Pipe line length	500cm
最大操作壓力 Max operation pressure	125psi/8.8(kg/cm <sup>2</sup> )
水溫範圍 Water temperature range	0°C~38°C
結構材質 Construction	<p>1.水機外殼：高品質ABS塑脂製成，美觀耐用。 Water machine outer case : High quality ABS plastics, the good design and enduring.</p> <p>2.水管：符合FDA標準的食品級PU耐水性材質製成，質軟、曲折性好、環保無毒，安全有保障。 Pipe : To meet FDA Food Grade standard, the quality is soft, the turns and twists is good, noon poison to the environment, security guarantee.</p> <p>3.濾瓶：高級不鏽鋼SUS-304材質，抗壓耐溫、不生鏽，耐用。 Filter bottle : High class stainless steel materials SUS-304s, anti-pressure, hot-resistant, anti rust, enduring.</p>

## 簡易維修及保養 Simple maintain and treatment

問題 Problem	處理方式 Processing method	問題 Problem	處理方式 Processing method
<b>狀況一</b> 水機無法出水 Problem 1: The machine of water can't pay the water.	1. PU水管有無彎曲折到。 Check PU pipe is bended or not. 2. 檢查拋棄式濾蕊有無定期更換(約三個月1500L) Check abandon type filter replaced periodically or not. (about three months or 1500 liters.) 3. 檢查水流量表是否關掉(OFF) Check whether the flowmeter is turn off or not (OFF).	<b>狀況三</b> 水機漏水 Problem 3: The machine of water is leaking.	1. 檢查螺帽是否有無栓緊。 Check whether nut tightly screwed or not. 2. 檢查止水墊圈是否放好。 Check whether the washer well put or not.
<b>狀況二</b> 水流量小 Problem 2: The amount of water current is small.	1. 檢查陶瓷濾蕊有無阻塞，如有阻塞，請比照"如何清洗濾心"中程序，清洗精密陶瓷濾蕊。 Check ceramics filter is jammed or not. If it is, please refer to" how to clean the filter", clean the ceramics filter. 2. 假使精密陶瓷濾蕊味阻塞，請檢查水壓是否足夠。 If it is not, please check water pressure. 3. 檢查拋棄式濾蕊有無定期更換。(約三個月1500L) Check abandons type filter replaced periodically or not. (about three months or 1500 liters.)	<b>狀況四</b> 銜接處漏水 Problem 4: Join is leaking.	1. 檢查水管是否完全插入。 Check whether pipe line insert completely or not. 2. 檢查螺帽是否栓緊。 Check nut bolt tightly or not.
		<b>狀況五</b> 鵝頸龍頭漏水 Problem 5: The goose neck group leader is leaking.	1. 檢查飛速螺帽是否栓緊。 Check whether nut bolt turns tightly or not. 2. 檢查止水墊圈是否放入。 Check whether the washer well put or not.

- ▲ ● 當水壓過小(低於1KG以下)時，產生水流量小，請安裝加壓馬達。(選配)  
When it is small to cross in water pressure (lower than under 1KG). The water shortage, please install the pump. (Selective purchase)
- 當水壓過高(高於5KG以上)時，產生水流量大，請安裝減壓閥。(選配)  
When water pressure is too big (higher than above 5KG), the water large, please install the relief pressure vaule. (Selective purchase)

**售後服務紀錄表**  
After-sales service record

水機編號：CJW   
Water machine serial number

安裝日期：  
Installation Date

濾心保養更換 Filter maintain to change	其他零件 Other spare parts	安裝人員簽名 Personnel Signature	維修日期 Maintenance Date
<input type="checkbox"/> 拋棄式 Abandon filter <input type="checkbox"/> 陶瓷 Ceramics filter <input type="checkbox"/> 活性炭 Activate carbon filter			年 月 日 Year Month Day
<input type="checkbox"/> 拋棄式 Abandon filter <input type="checkbox"/> 陶瓷 Ceramics filter <input type="checkbox"/> 活性炭 Activate carbon filter			年 月 日 Year Month Day
<input type="checkbox"/> 拋棄式 Abandon filter <input type="checkbox"/> 陶瓷 Ceramics filter <input type="checkbox"/> 活性炭 Activate carbon filter			年 月 日 Year Month Day
<input type="checkbox"/> 拋棄式 Abandon filter <input type="checkbox"/> 陶瓷 Ceramics filter <input type="checkbox"/> 活性炭 Activate carbon filter			年 月 日 Year Month Day
<input type="checkbox"/> 拋棄式 Abandon filter <input type="checkbox"/> 陶瓷 Ceramics filter <input type="checkbox"/> 活性炭 Activate carbon filter			年 月 日 Year Month Day

**注意事項 Special note**

產品保固期內免費服務，自購買安裝日起服務保證一年，安裝日期以公司電腦檔建檔資料為主，無資料者以逾保證期論。  
Free service inside the period in product warranty. From purchase install to serve a year in assurance from day, install the date with the company computer create file data is lord, have no data to over assurance period to talk about.

- 不銹鋼瓶主體結構公司保固15年。(不含銅L接頭)  
The Main body structure of stainless steel is 15 Years Guarantees (Exclude Copper L connector)
- 水機外殼為公司保固一年。  
The outer covering is for 1 year Guarantees.
- 附件：鵝頸龍頭、各式銅L接頭、PU管線、流量表及零配件等公司保固一年、各式止水油環等公司保固六個月。  
Attachments : Goose neck group leader, Various types connector, The PU pipe, water Flow meter and Spare parts are for 1 year Guarantees; Sealing up oil ring is for six months Guarantees.
- (二)、(三)道前置濾瓶組外殼公司保固一年。  
The outer covering of Pretage filter sets at second, third paths are for 1 year guarantees.
- (二)、(三)道前置濾瓶組止水油環公司保固六個月。  
The sealing up oil ring of pretage filter sets at second, third paths are for six month guarantees.
- 加壓馬達公司保固一年。  
Pressurize pump is for 1 Year Guarantees.
- 以上非人為操作使用不當，公司保固期限內負責派員或送廠免費維修更新、公司保固期限外公司可派員或送廠維修更新，但酌收公司訂定之工資及材料費用。  
Guarantee the period in use if the appearance normally the occurrence breaks down or damages, it can be free of charge to repair by the company with this guarantee certificate. Guarantee the breakdown out of the period and damage, our company also is responsible for repairing, but consider charging the labor wage for the day and material expenses.

製造商



**品亮國際科技有限公司**  
AQUAPLUS INTERNATIONAL TECH. CO., LTD.

ISO 9001 PSBTest

709台南市安南區工明南一路65號  
工廠登記證字號:99-674113-00  
e-mail:sales@apuaplus.com.tw  
http://www.aquaplus.com.tw

技術提供：  
プリンセス商事株式会社  
株式会社久保トレーディング  
株式会社 タカ・コーポレーション